

ENGINEERING
TOMORROW

Danfoss

Quick reference

Light commercial reciprocating compressors For **refrigeration**

R404A | R507 | R407C | 220 - 240V | 50 / 60Hz



Accessories for SC Twin

SC10/10, SC12/12 and SC15/15:

- Service valve for 12 mm tube 118-7350
- Solder connector for 12 mm tube..... 104B0584

SC18/18 and SC21/21:

- Service valve for 16mm tube 118-7351
- Solder connector for 16mm tube 118-7405

SC10/10, SC12/12, SC15/15, SC18/18 and SC21/21:

- Seal ring for service valve and solder connector 118-3638
- Time delay relay..... 117N0001
- Check valve (to be used with time – delay relay) 020-1014

Optional IP44 equipment for SC compressors

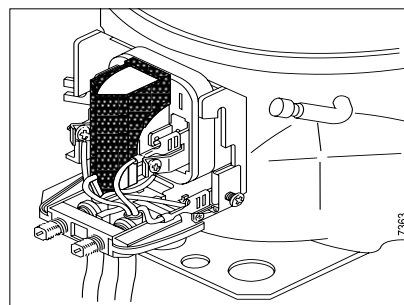
Danfoss now offers special accessories, which provide a better IP protection class for a major part of the SC compressor models. All SC models for 220-240V/50Hz or 208-230V/60Hz and CSIR motor can be IP upgraded. The equipment consists of one additional part, the so called “back cover”, and a special starting capacitor. Both are used instead of the normal starting capacitor. When using this equipment, the protection class is increased to IP44, i.e. the compressor and its electrical parts are splash-proof.



| Code number | Description |
|---|------------------------------|
| 130N2020 | Back cover |
| 117U5117** | IP44 starting capacitor 80µF |
| ** replaces standard capacitor 117U5017 | |

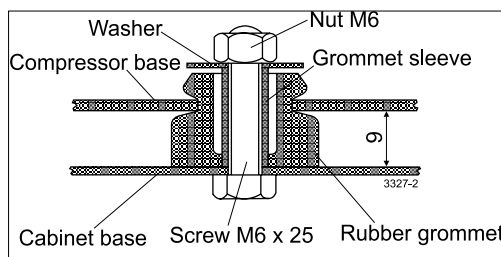
Protection screen for PTC

Note: To fulfil the requirements of EN 60355-2-34 the protection screen 103N0476 must be applied to the PTC starting device.

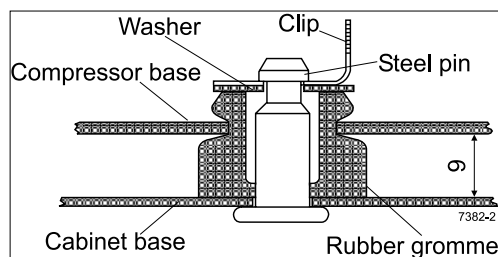


Mounting accessories

The mounting accessories for the compressors are available in two versions, with bolt joint or snap-on joint. The rubber grommets are designed for the 16 mm holes of the baseplate.

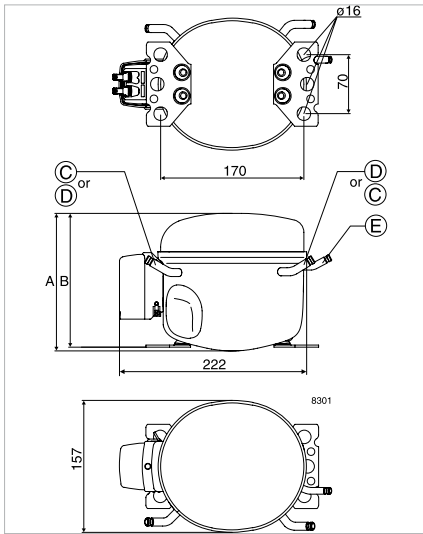


Bolt joint for
one compressor: 118-1917
in quantities: 118-1918

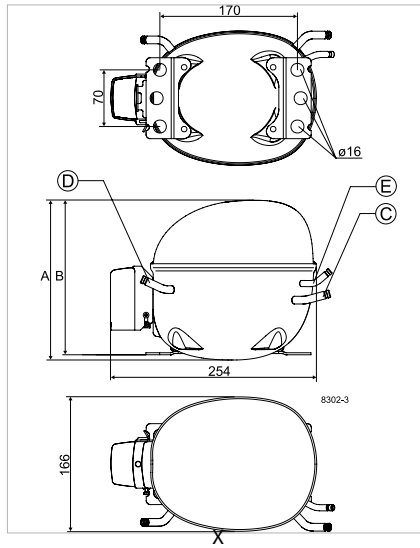


Snap-on
in quantities: 118-1919

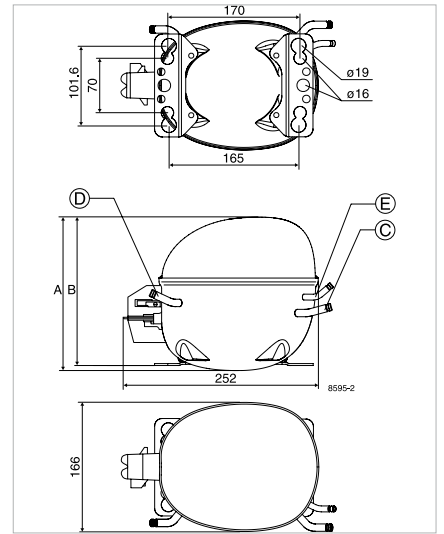
TL



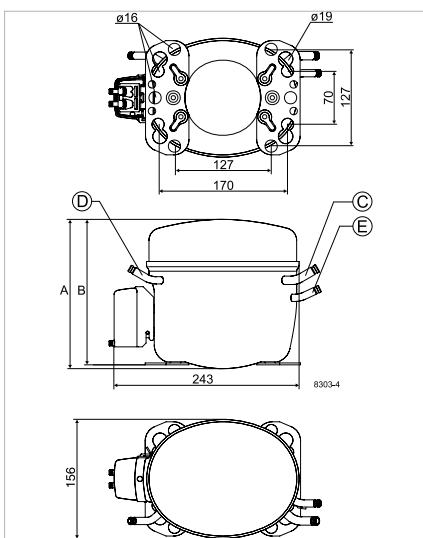
NL



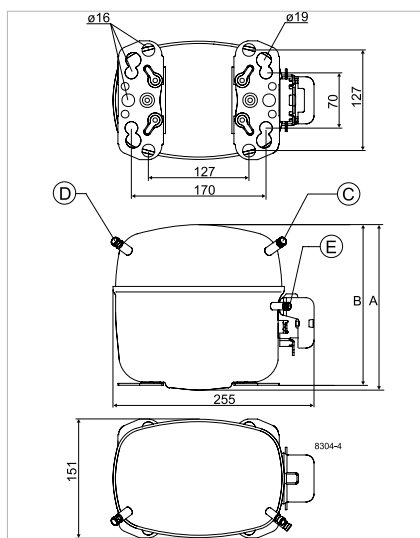
NF



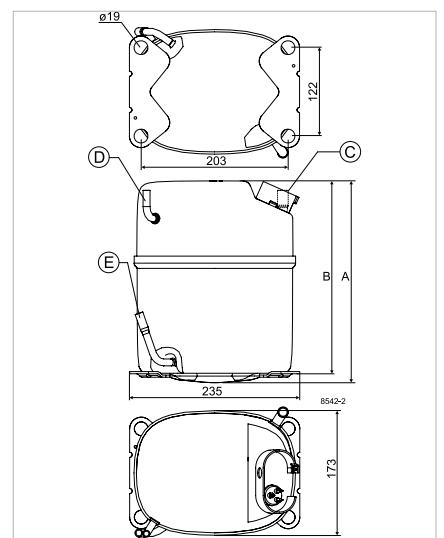
FR



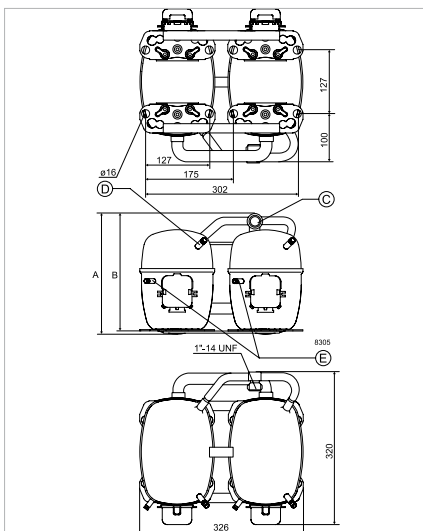
SC



GS

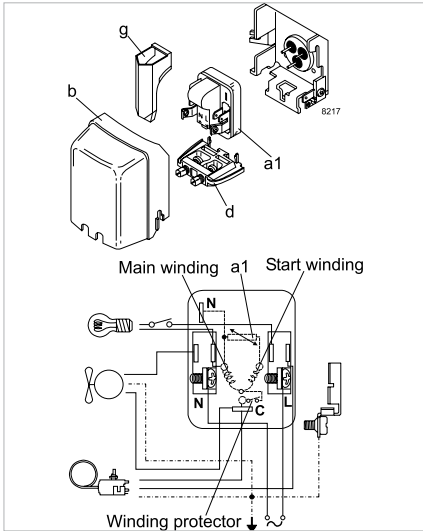


SCTwin

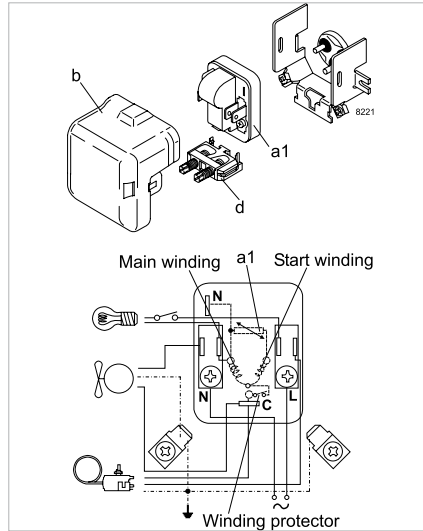


Note: On GS34CLX compressors suction and process connectors are interchanged.

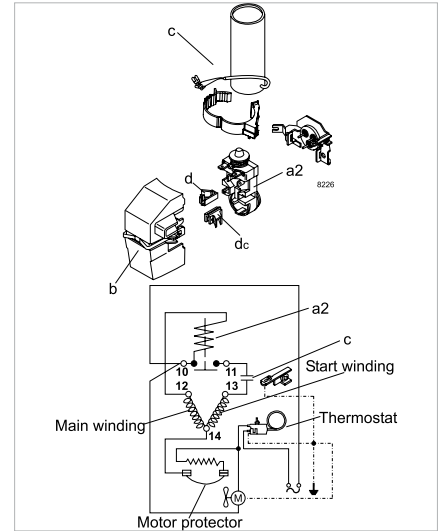
LST - RSIR



TL-NL-FR

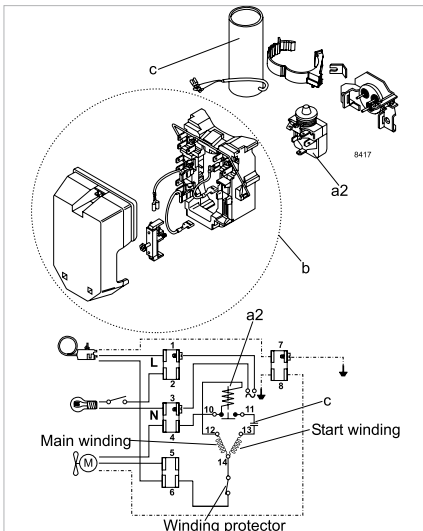


SC

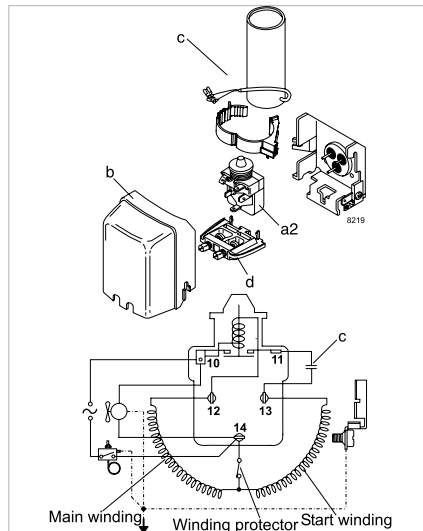


NF

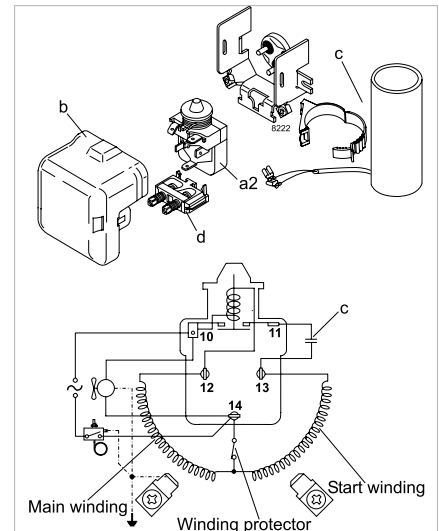
HST - CSIR



TL45CLX

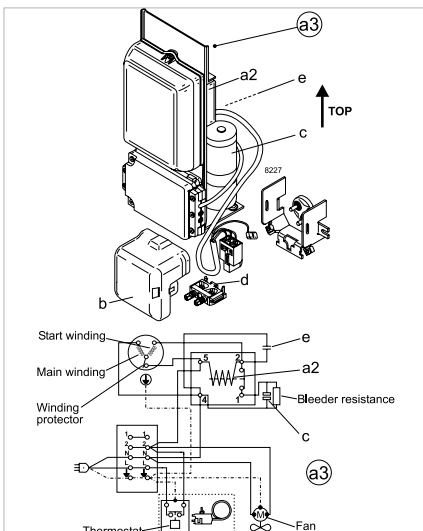


TL-NL-FR

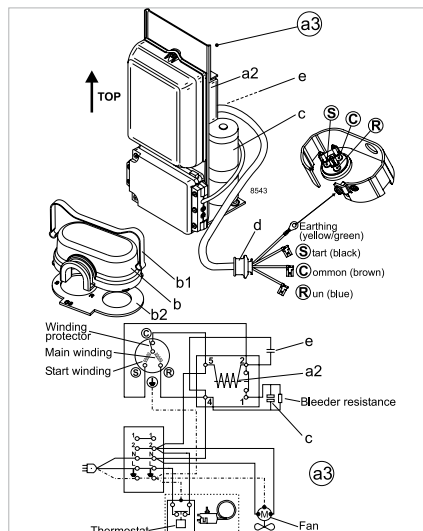


SC

HST - CSR



SC

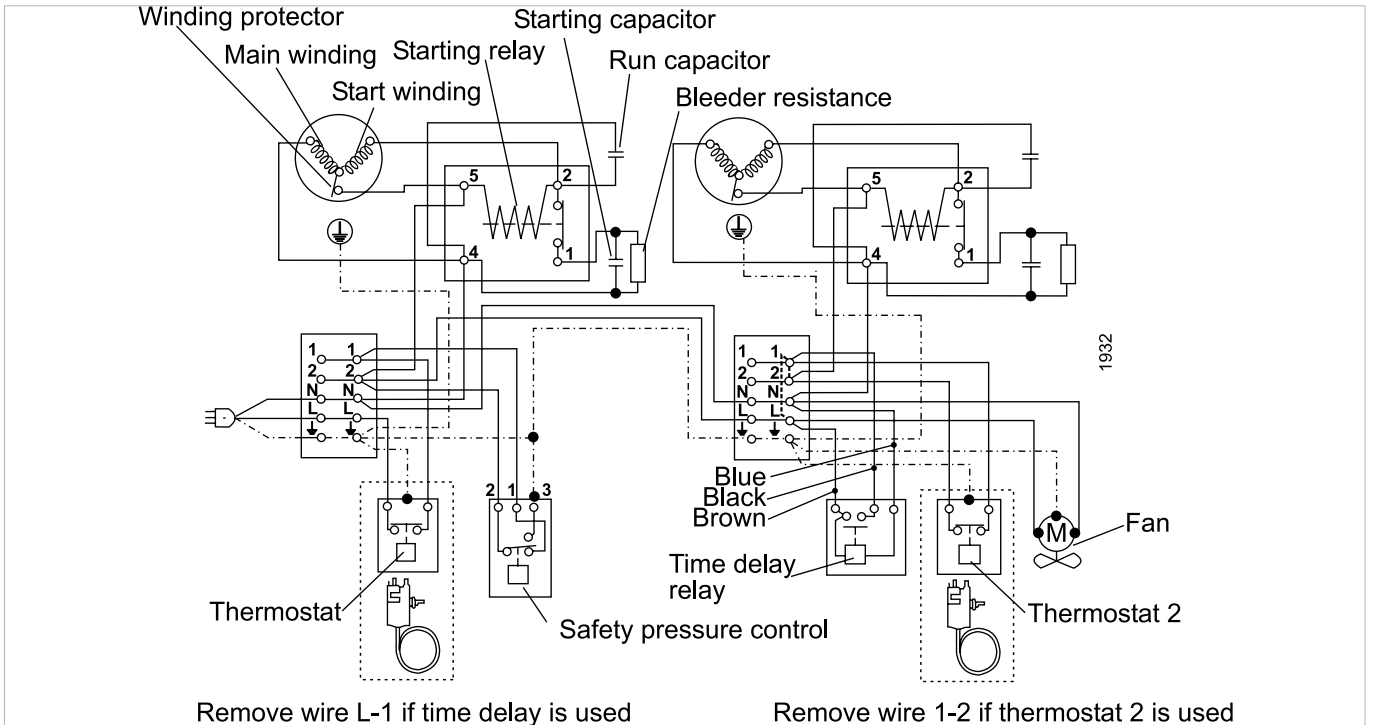


GS

Legend :

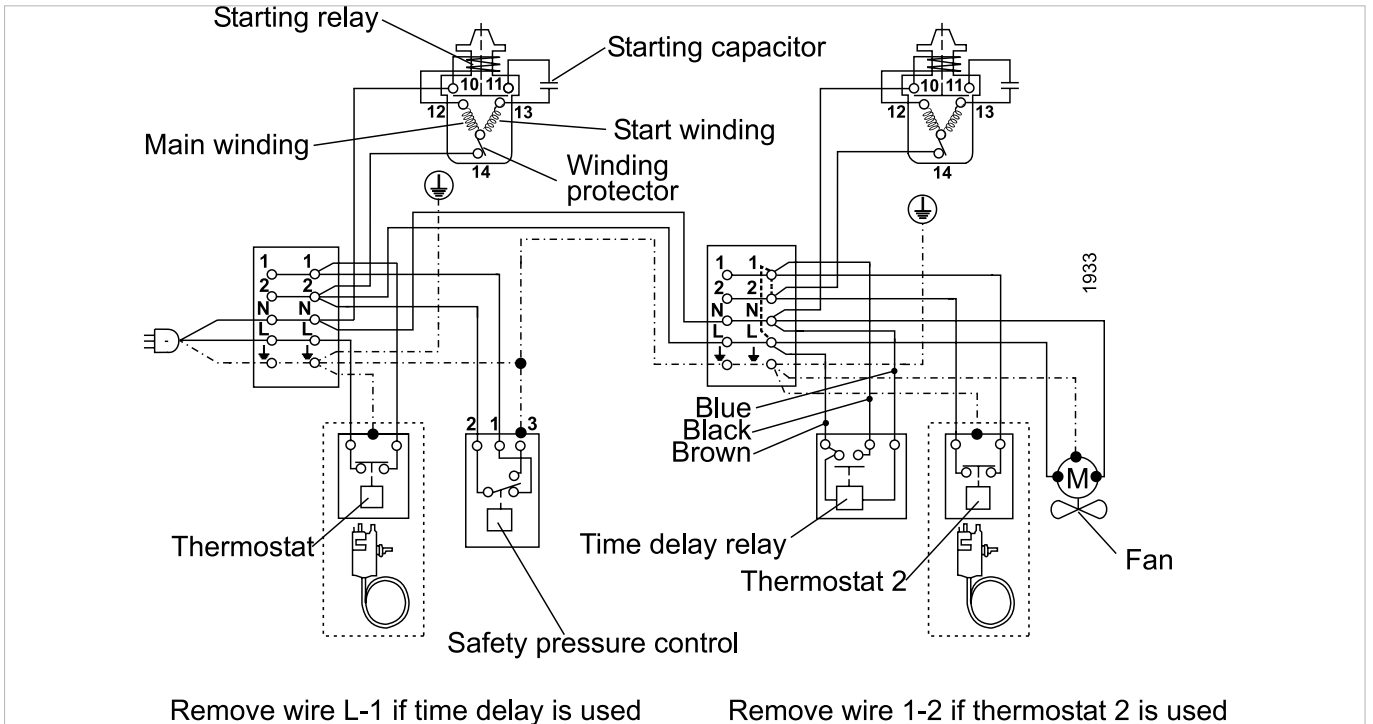
- a1:** PTC starting device
- a2:** Starting relay
- a3:** Starting device
- b:** Cover
- b1:** Clamp (part of compressor)
- b2:** Gasket (part of compressor)
- c:** Starting capacitor
- d:** Cord relief
- e:** Run capacitor
- g:** Protection screen for PTC

HST - CSR



SC Twin

HST - CSIR



SC Twin

Danfoss Commercial Compressors

is a worldwide manufacturer of compressors and condensing units for refrigeration and HVAC applications. With a wide range of high quality and innovative products we help your company to find the best possible energy efficient solution that respects the environment and reduces total life cycle costs.

We have 40 years of experience within the development of hermetic compressors which has brought us amongst the global leaders in our business, and positioned us as distinct variable speed technology specialists. Today we operate from engineering and manufacturing facilities spread across three continents.



Our products can be found in a variety of applications such as rooftops, chillers, residential air conditioners, heatpumps, coldrooms, supermarkets, milk tank cooling and industrial cooling processes.

<http://cc.danfoss.com>

Danfoss Commercial Compressors, BP 331, 01603 Trévoux Cedex, France | +334 74 00 28 29



Danfoss can accept no responsibility for possible errors in catalogues, brochures and other printed material. Danfoss reserves the right to alter its products without notice. This also applies to products already on order provided that such alterations can be made without subsequential changes being necessary in specifications already agreed. All trademarks in this material are property of the respective companies. Danfoss and the Danfoss logotype are trademarks of Danfoss A/S. All rights reserved.